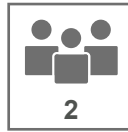


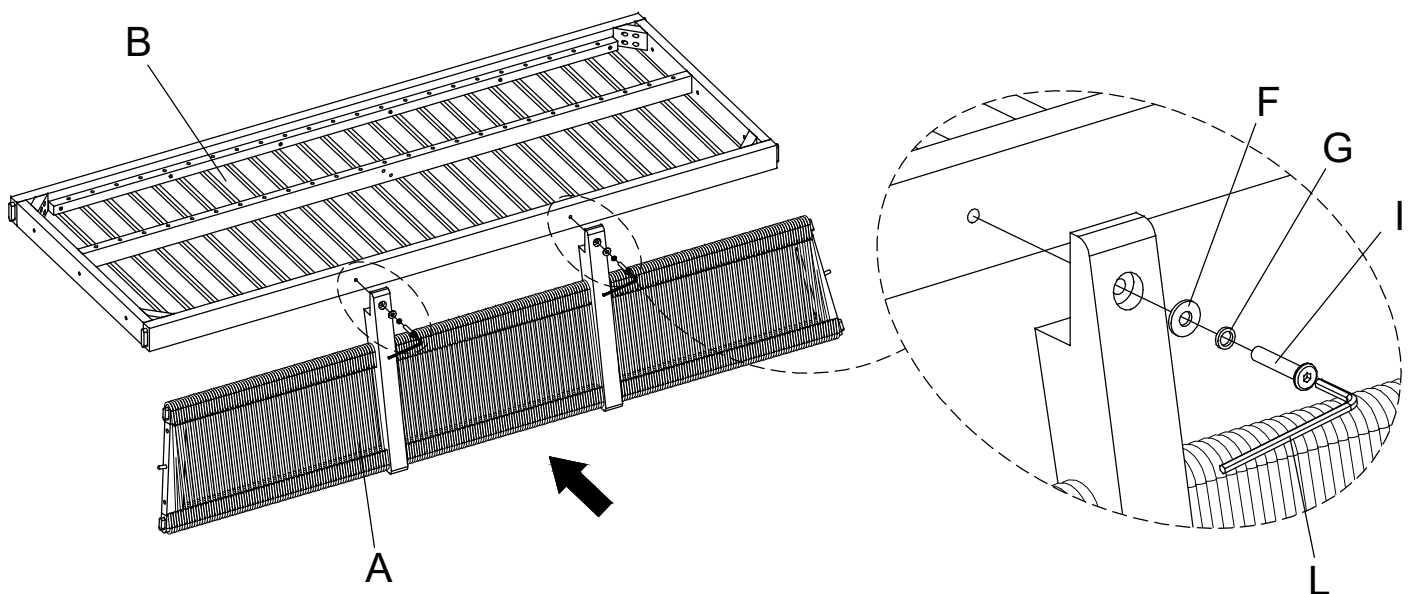
LOBERON

COMING HOME



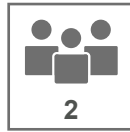
<p>Ax1</p>	<p>Bx1</p>	<p>Ex6</p> <p>M8</p>	<p>Fx12</p> <p>2x(Ø9+Ø16)mm</p>
<p>Cx2</p>	<p>Dx1</p>	<p>Gx12</p> <p>2x(Ø9+Ø12)mm</p>	<p>Hx4</p> <p>M8 x 90mm</p>
		<p>Ix2</p> <p>M8 x 40mm</p>	<p>Jx2</p> <p>M6 x 45mm</p>
		<p>Kx1</p> <p>13</p>	<p>Lx2</p> <p>4 mm</p>

1

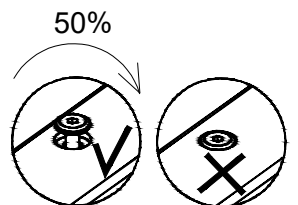
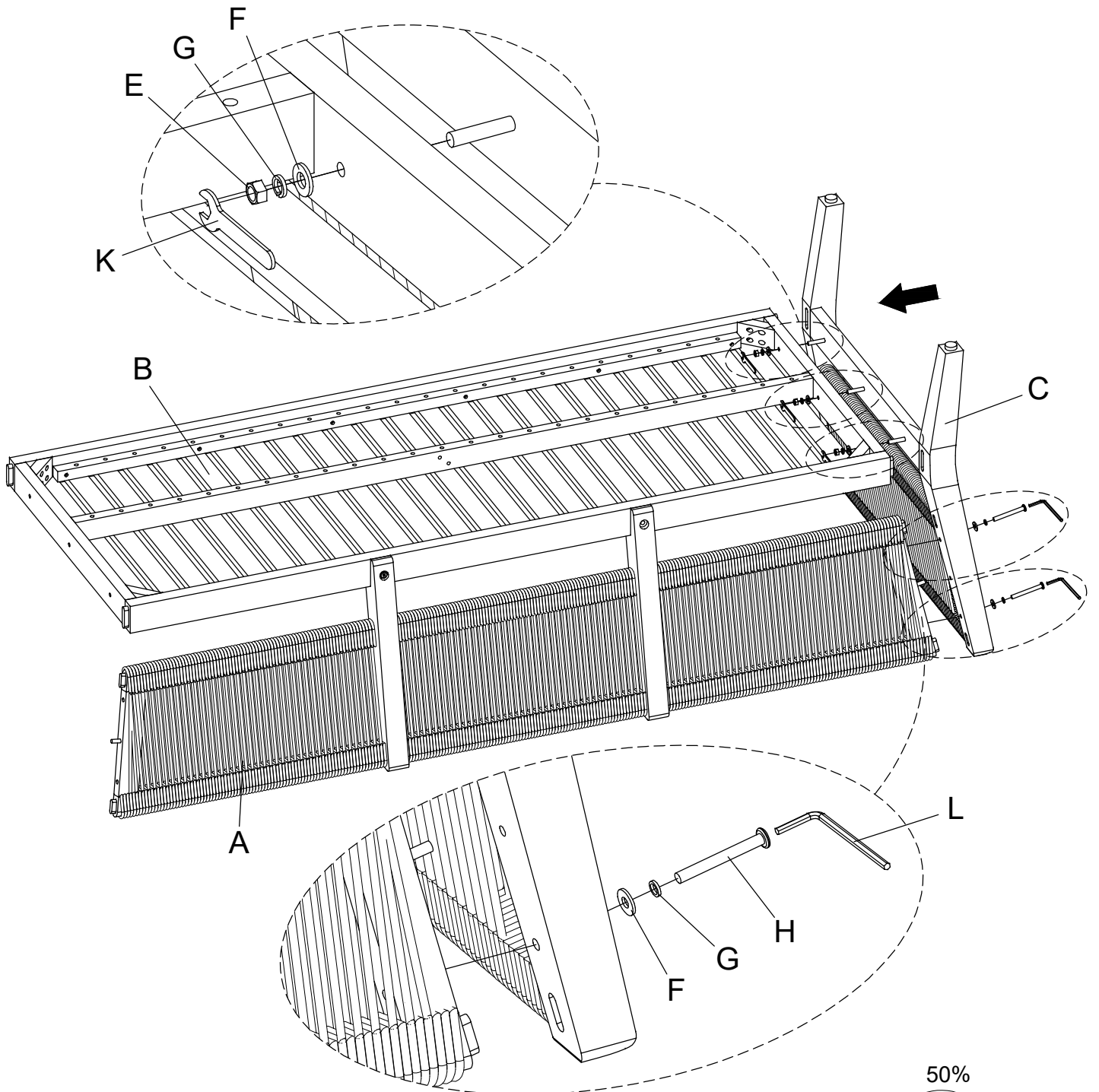


LOBERON

COMING HOME

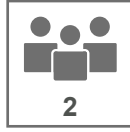


2

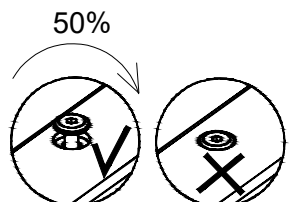
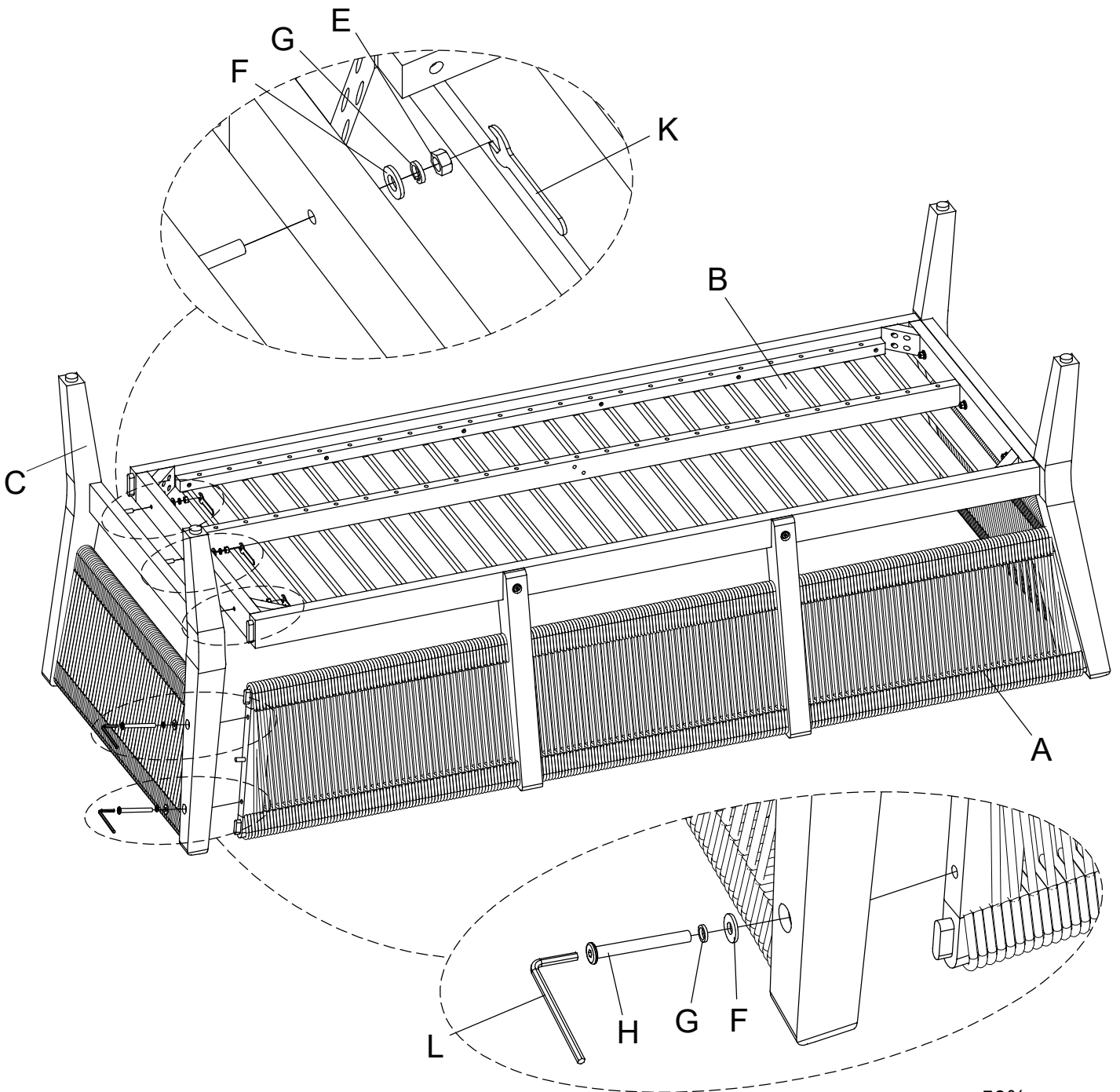


LOBERON

COMING HOME

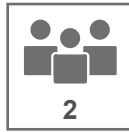


3

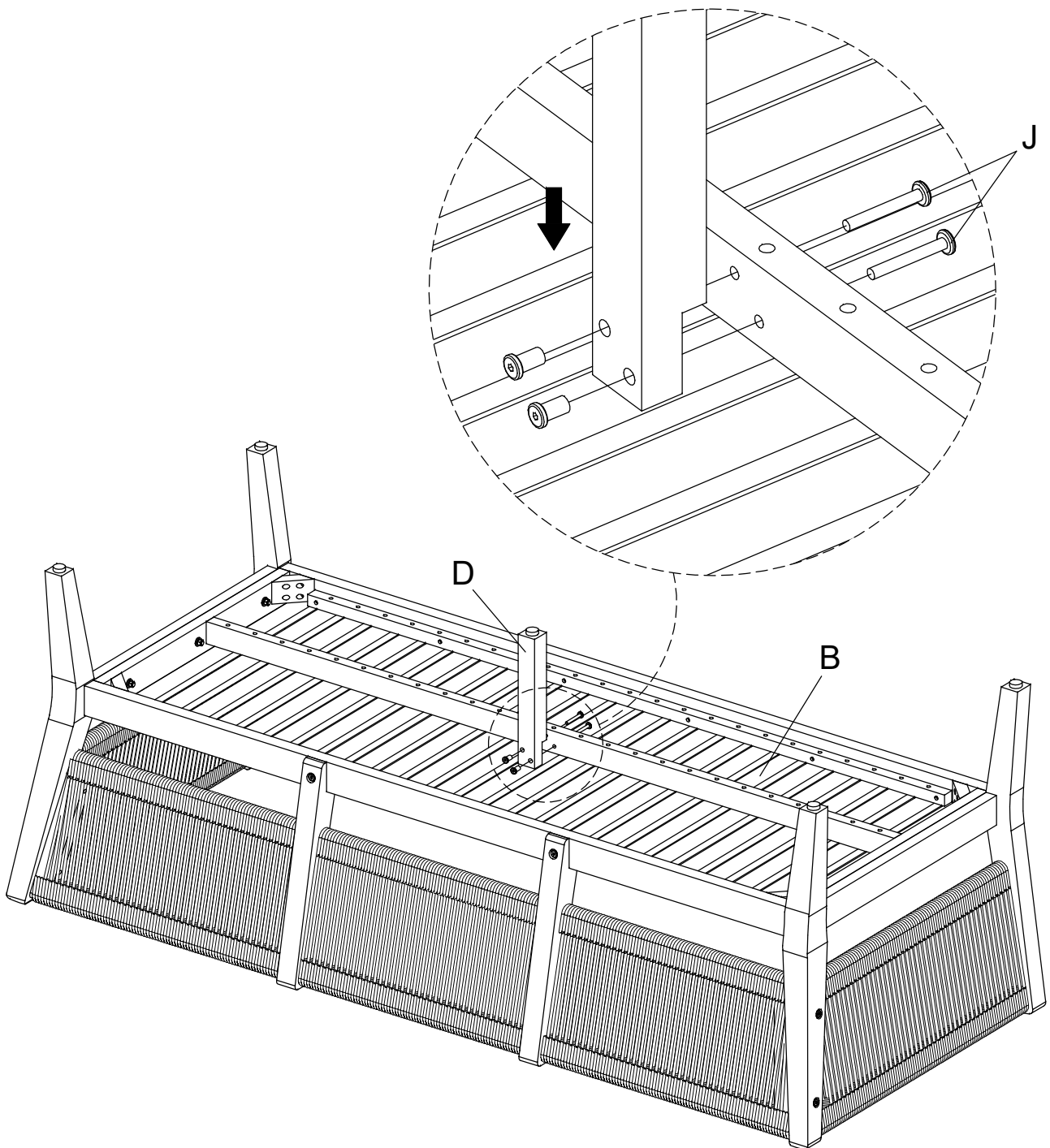


LOBERON

COMING HOME



4



LOBERON

COMING HOME

