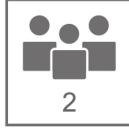


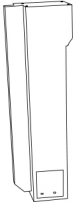

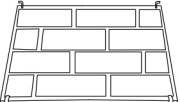








LOBERON

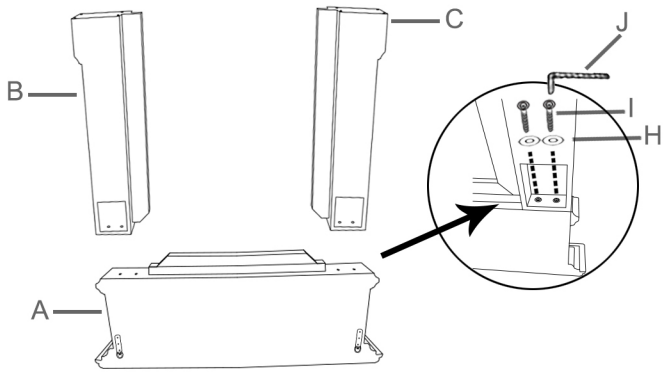
COMING HOME



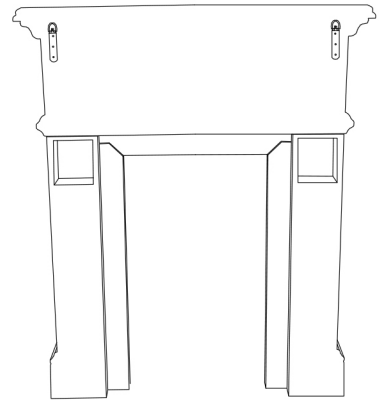
Ax1 	Bx1 	Cx1 	Dx1 	Ex1 	
Fx1 	Gx1 	Hx4  φ8mm	Ix4  φ8x40mm	Jx1  φ8mm	Kx6  φ3.5x25mm

1

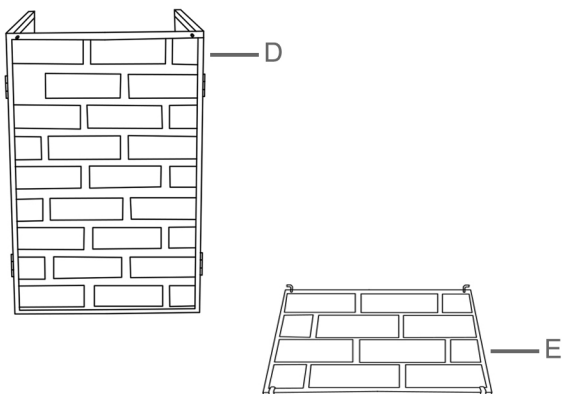
2



3



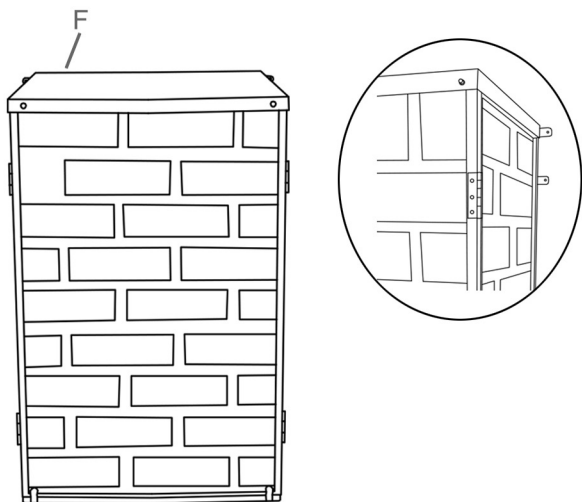
4



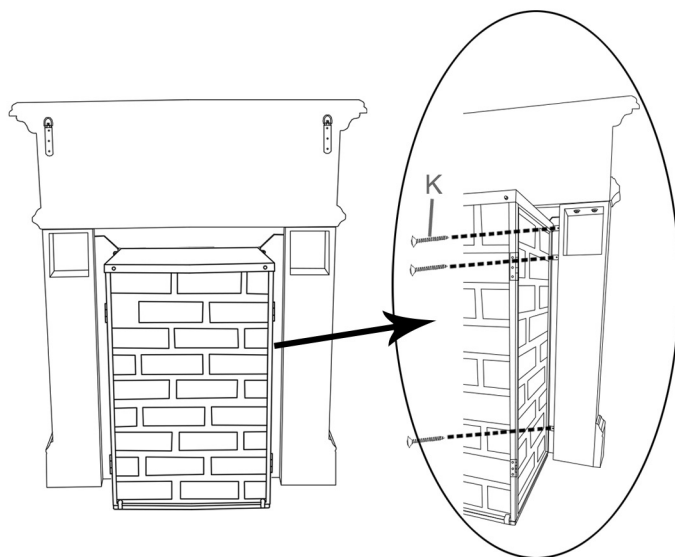
LOBERON

COMING HOME

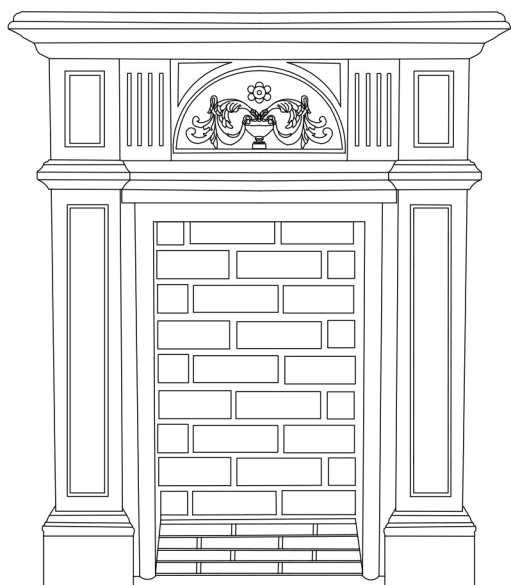
5



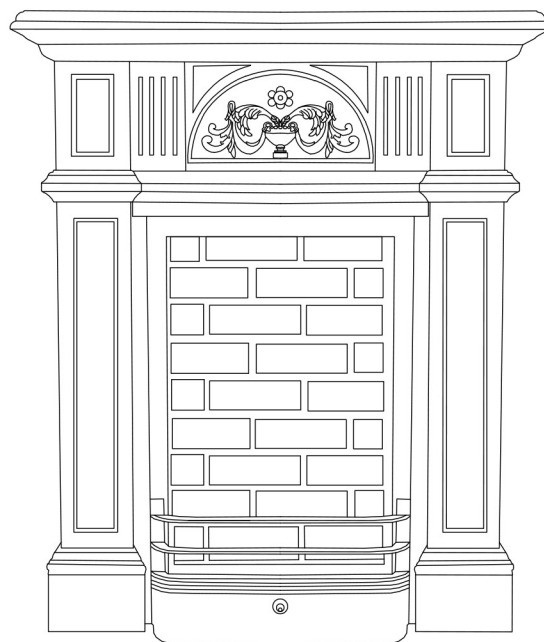
6



7



8

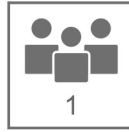


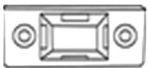
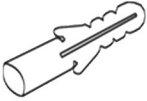
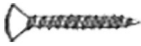

G



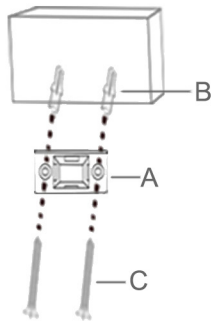
LOBERON

COMING HOME

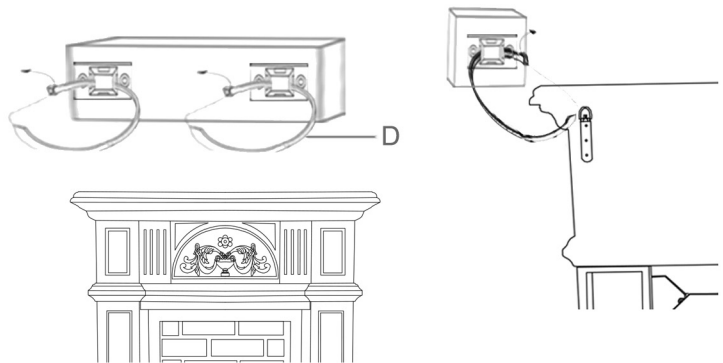


Ax2 	Bx4 	Cx4  φ3.5x40mm	Dx2 
--	--	--	--

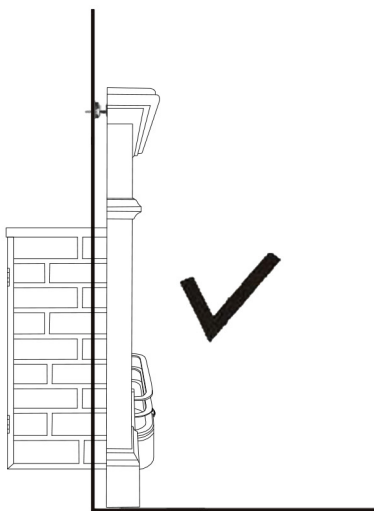
1



2



3



4

